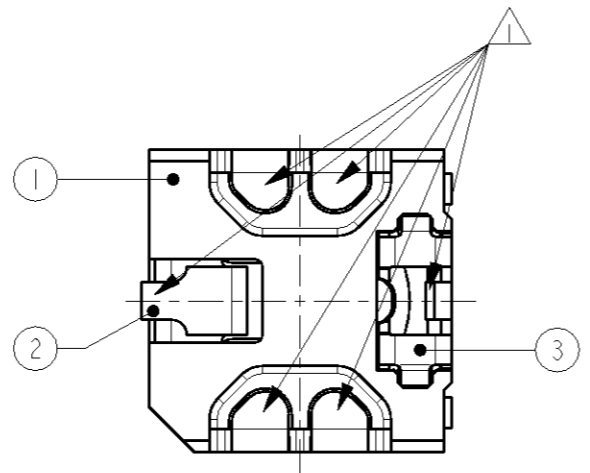
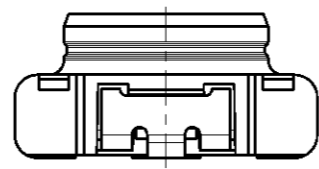
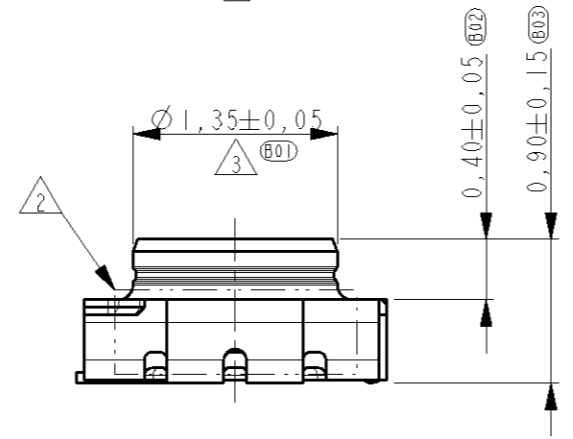
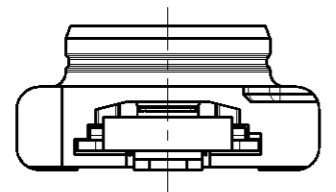
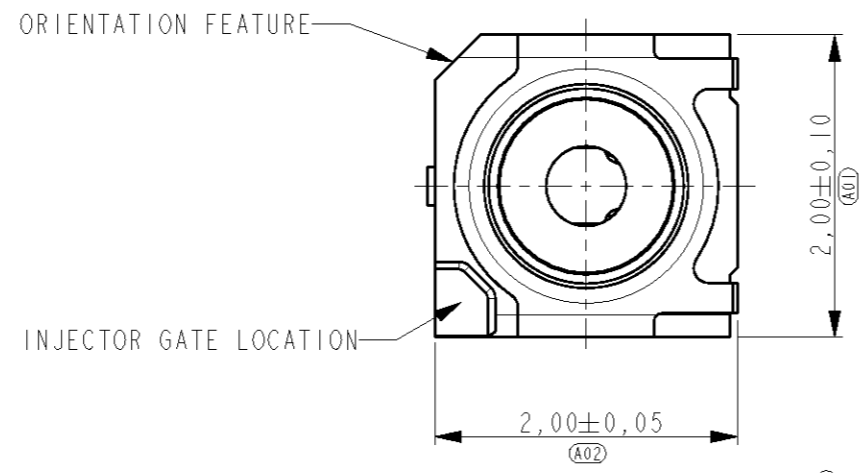
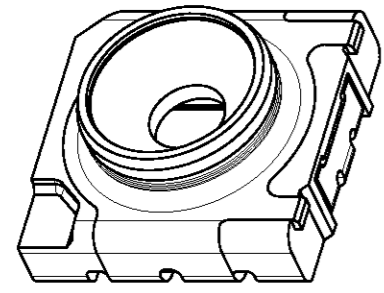


THIS DRAWING IS UNPUBLISHED. RELEASED FOR PUBLICATION
 © COPYRIGHT - BY TYCO ELECTRONICS CORPORATION. ALL RIGHTS RESERVED.

LOC	DIST	REVISIONS					
H	-	P	LTR	DESCRIPTION	DATE	DWN	APVD
			A	Release for production	14JAN2010	JHA	DH
			A1	ECR-10-017997	30AUG2010	JHA	DH



NOTES:
 1 COPLANARITY OF SOLDER SURFACES 0,08 MAX.
 2 MAX FLASH ALLOWED IN THIS AREA (TWO SIDES) 0,08mm.
 3 DIMENSIONS FOLLOW REQUIREMENTS FOR MATING TO:
 MASS PRODUCTION PROBE 619361-1.
 HAND PROBE 619384-1.

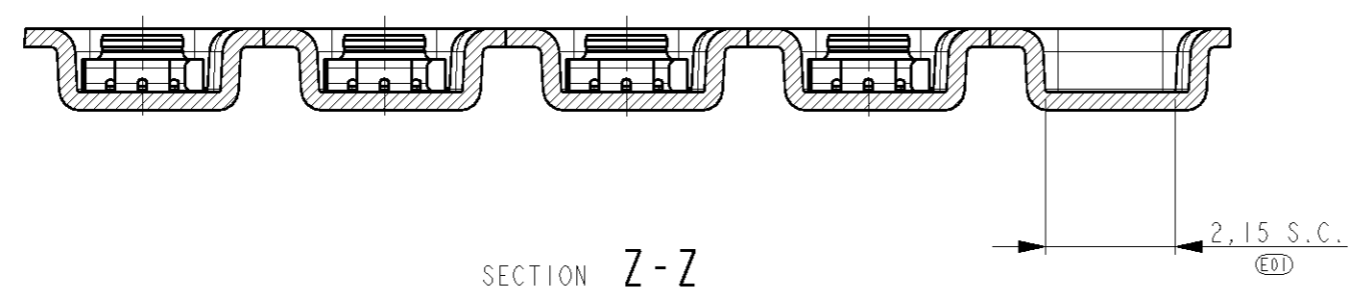
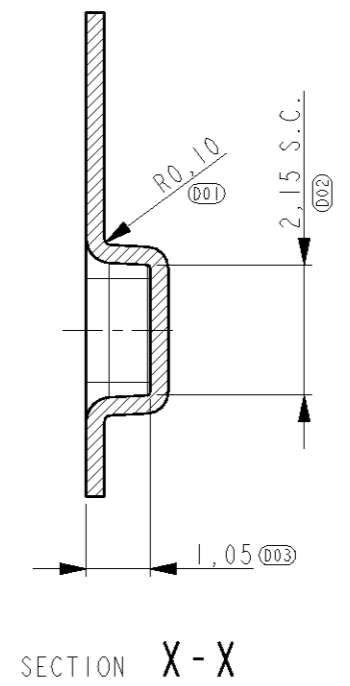
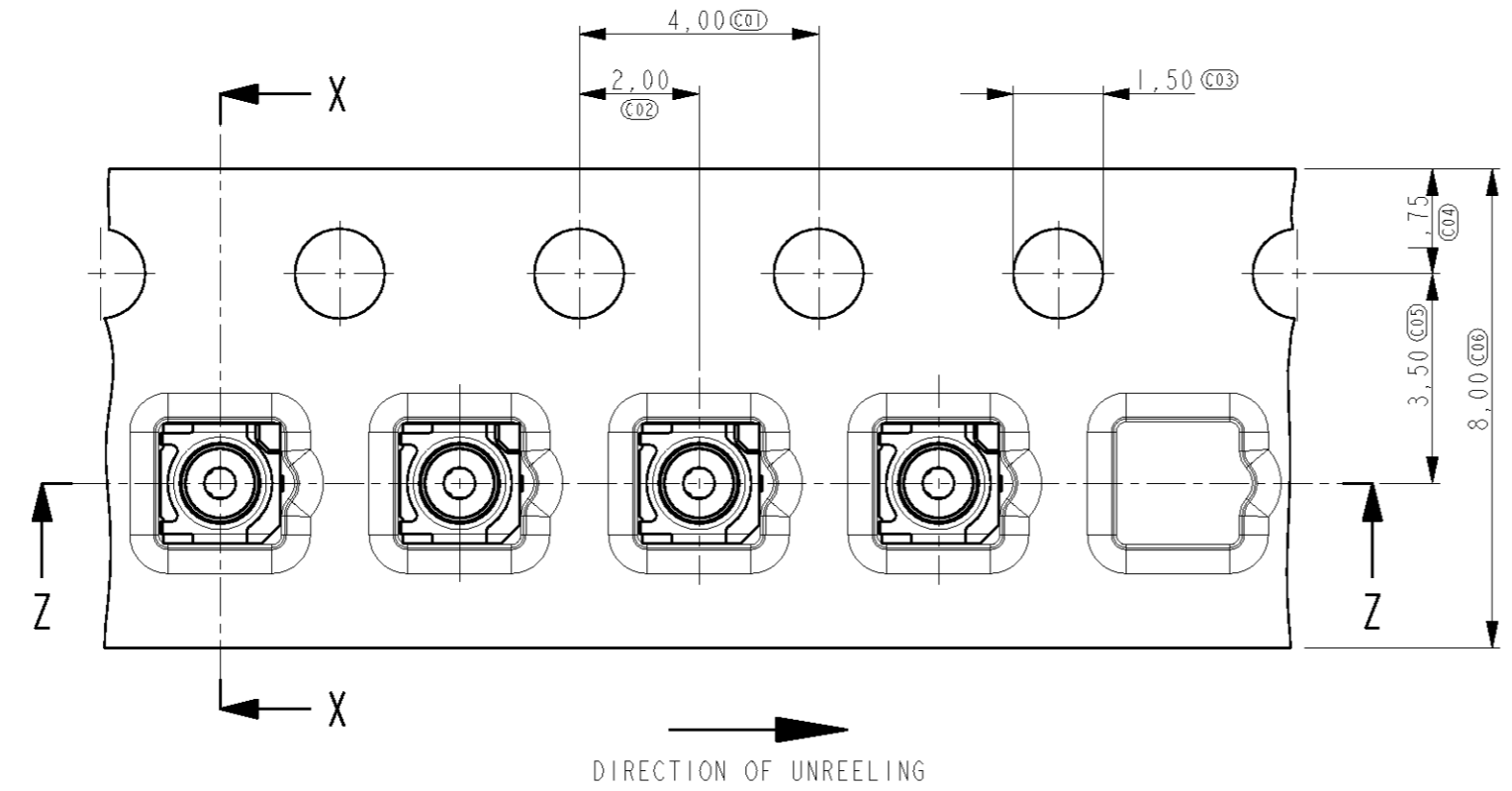
1551372-1 AS SHOWN.

ITEM NO.	DESCRIPTION	MATERIAL	FINISH
3	CONTACT CLIP	COPPER ALLOY	0,1 µm GOLD
2	CONTACT SPRING	COPPER ALLOY	0,1 µm GOLD
1	SHIELD OVERMOULD	LCP, 30%GF / COPPER ALLOY	1,2 µm NICKEL

THIS DRAWING IS A CONTROLLED DOCUMENT FOR TYCO ELECTRONICS CORPORATION IT IS SUBJECT TO CHANGE AND THE CONTROLLING ENGINEERING ORGANIZATION SHOULD BE CONTACTED FOR THE LATEST REVISION.		DWN 07 SEP 2009 J. Haans		Tyco Electronics Corporation 's-Hertogenbosch, Nederland	
DIMENSIONS: mm		TOLERANCES UNLESS OTHERWISE SPECIFIED: 0 PLC ±- 1 PLC ±- 2 PLC ±- 3 PLC ±- 4 PLC ±- ANGLES ±-		NAME RF SWITCH	
MATERIAL SEE TABLE		FINISH SEE TABLE		PRODUCT SPEC - APPLICATION SPEC - WEIGHT 0,007 gr	
CUSTOMER DRAWING		SCALE 20:1		SHEET 1 OF 3 REV A1	

THIS DRAWING IS UNPUBLISHED. RELEASED FOR PUBLICATION
 © COPYRIGHT - BY TYCO ELECTRONICS CORPORATION. ALL RIGHTS RESERVED.

LOC	DIST	REVISIONS			
P	LTR	DESCRIPTION	DATE	DWN	APVD
H	-	SEE SHEET 1	-	-	-



NOTES:

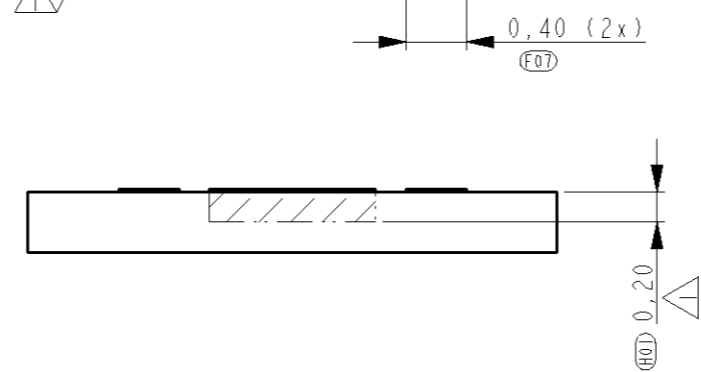
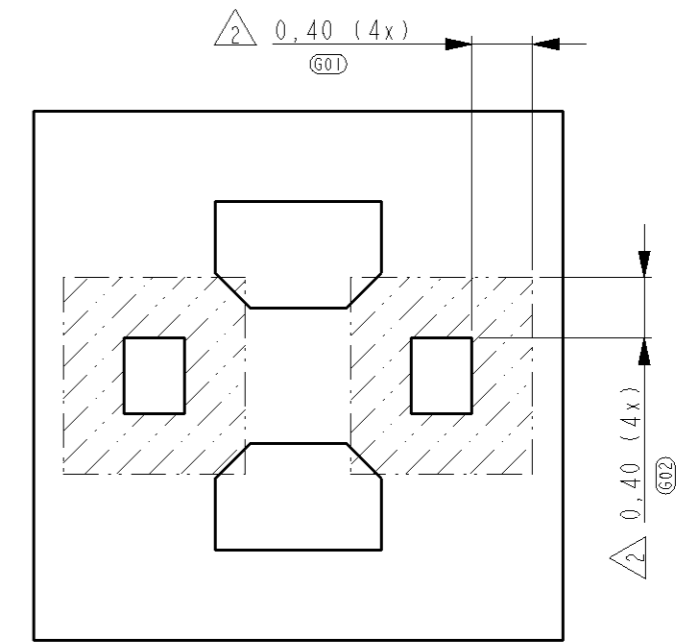
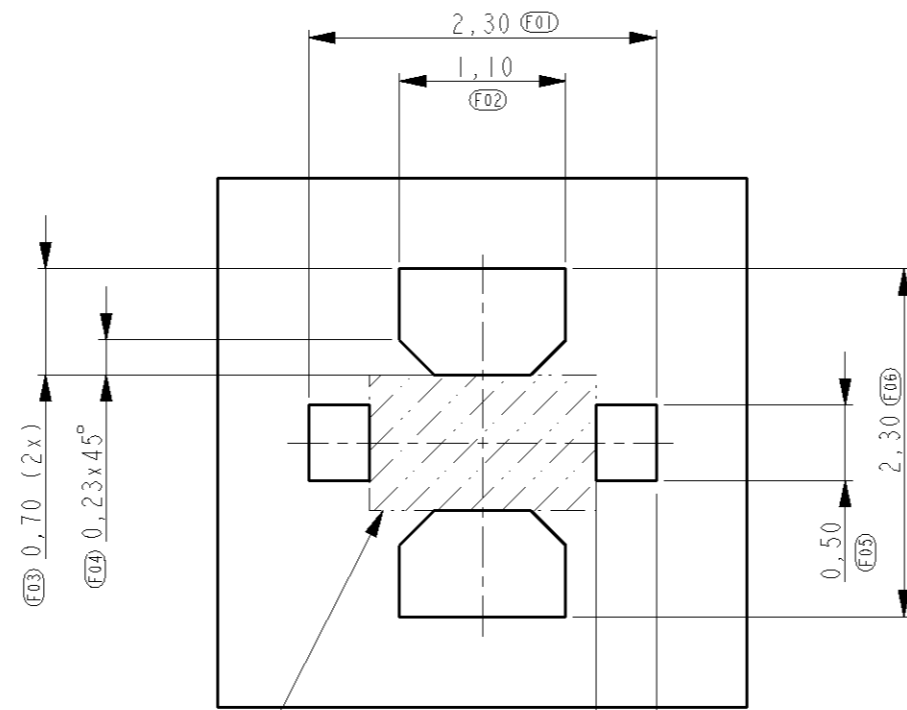
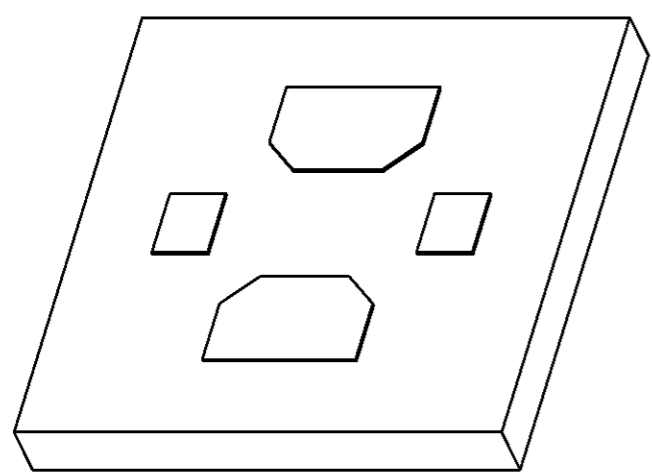
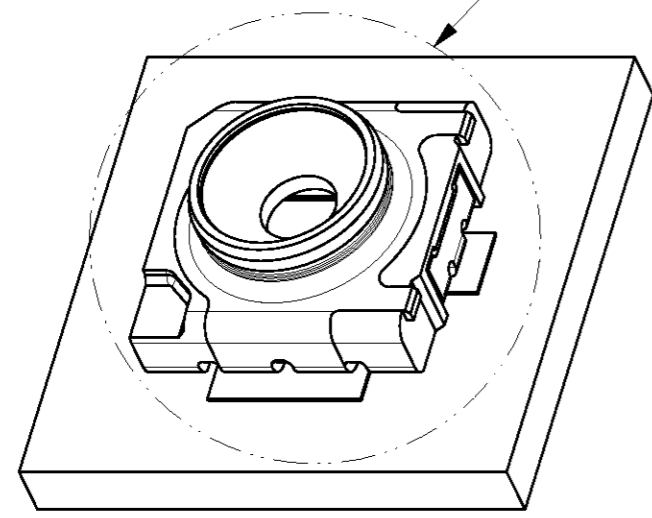
- 1 MATERIAL: PS 0,3 mm. COLOR CLEAR.
- 2 ALL INSIDE RADII 0,2 MAX, UNLESS OTHERWISE SPECIFIED.
- 3 ACCORDING EIA-481.0-B.
- 4 MAXIMUM CAMBER 1mm / 250mm.
- 5 REEL DIAM 330mm. 10000 PIECES/REEL

THIS DRAWING IS A CONTROLLED DOCUMENT FOR TYCO ELECTRONICS CORPORATION IT IS SUBJECT TO CHANGE AND THE CONTROLLING ENGINEERING ORGANIZATION SHOULD BE CONTACTED FOR THE LATEST REVISION.		DWN 07 SEP 2009 J. Haans	Tyco Electronics Corporation 's-Hertogenbosch, Nederland	
DIMENSIONS: mm		CHK 07 SEP 2009 J. Dittner	NAME RF SWITCH	
TOLERANCES UNLESS OTHERWISE SPECIFIED: 0 PLC ±- 1 PLC ±- 2 PLC ±- 3 PLC ±- 4 PLC ±- ANGLES ±-		APVD 08 SEP 2009 D. Halberstadt	PRODUCT SPEC -	
MATERIAL SEE TABLE		FINISH SEE TABLE	APPLICATION SPEC -	RESTRICTED TO -
WEIGHT 0,007 gr		SIZE A3	CAGE CODE 00779	DRAWING NO C=1551372
CUSTOMER DRAWING		SCALE 20:1	SHEET 2 OF 3	REV A1

THIS DRAWING IS UNPUBLISHED. RELEASED FOR PUBLICATION
 © COPYRIGHT - BY TYCO ELECTRONICS CORPORATION. ALL RIGHTS RESERVED.

LOC	DIST	REVISIONS			
P	LTR	DESCRIPTION	DATE	DWN	APVD
H	-	SEE SHEET 1	-	-	-

KEEP AREA FREE FROM DUST PARTICLES AS RESULT OF BOARD CUTTING ETC.



- ⚠ NO COPPER PERMITTED UNDER THE SWITCH AT SPECIFIED DIMENSION. WHEN DEVIATED FROM DIMENSION: SIGNAL AND GROUND CONNECTIONS MUST BE DESIGNED TO MATCH THE 50 OHM IMPEDANCE.
- ⚠ NO OTHER SIGNAL OR GROUND PATTERN ALLOWED WITHIN SPECIFIED AREA.

RECOMMENDED PCB LAYOUT

THIS DRAWING IS A CONTROLLED DOCUMENT FOR TYCO ELECTRONICS CORPORATION IT IS SUBJECT TO CHANGE AND THE CONTROLLING ENGINEERING ORGANIZATION SHOULD BE CONTACTED FOR THE LATEST REVISION.		DWN 07 SEP 2009 J. Haans	Tyco Electronics Tyco Electronics Corporation 's-Hertogenbosch, Nederland	
DIMENSIONS: mm		CHK 07 SEP 2009 J. Dittner	NAME RF SWITCH	
TOLERANCES UNLESS OTHERWISE SPECIFIED: 0 PLC ±- 1 PLC ±- 2 PLC ±- 3 PLC ±- 4 PLC ±- ANGLES ±-		APVD 08 SEP 2009 D. Halberstadt	PRODUCT SPEC -	
MATERIAL SEE TABLE		FINISH SEE TABLE	APPLICATION SPEC -	RESTRICTED TO -
WEIGHT 0,007 gr		SIZE A3	CAGE CODE 00779	DRAWING NO C=1551372
CUSTOMER DRAWING		SCALE 20:1	SHEET 3 OF 3	REV A1